

Electro-Voice®

a MARK IV company

Model WCB-1 Wall/Ceiling Mounting Bracket Kit

SPECIFICATIONS

Wall Mounting Holes:

Four 0.28-inch diameter clearance holes adjustable to fit FR12-2 and PI100 enclosures

Enclosure Mounting Holes:

Two 0.28-inch diameter clearance holes on "L" brackets

Material:

Cold rolled steel

Finish:

Black paint

Net Weight:

2.9 kg (6 lb 7 oz)

Shipping Weight:

3.6 kg (8 lb)

DESCRIPTION

The WCB-1 wall/ceiling mounting bracket kit is designed to permanently mount Electro-Voice Models PI100 and FR12-2 speaker systems.

The WCB-1 allows the system to rotate about the cabinet mounting centers to permit angular adjustment after mounting on a wall or ceiling. A locking screw is included to stabilize the system in its final position. Although simple in design, the WCB-1 allows the FR12-2 and PI100 to be mounted in almost any position so as to obtain the desired sound coverage.

MOUNTING

The WCB-1 supports the FR12-2 or PI100 with two ¼-20 hex head screws which fasten the bracket to threaded inserts in the cabinets. Two sets of mounting screws are included with the WCB-1. The longer screws are intended to be used with the PI100.

The WCB-1 is designed to mount on the center set of inserts on the long dimension of the PI100 enclosure; and, also to mount on the center set of inserts on the FR12-2 on either the long dimension or the short dimension. To access the inserts on the FR12-2, remove the cap plugs concealing the inserts.

Holes are spaced on the "L" brackets and channel of the WCB-1 to provide the correct spacing between the "L" bracket arms and the FR12-2 short and long dimensions and the PI100 long dimension. The widest spacing is used with the PI100. Since the correct spacing is predetermined by the WCB-1 bracket, the bracket would normally be mounted by itself, with the enclosure installed later. Four ¼-inch diameter lag screws are recommended for securing the bracket to the wall or ceiling.

Figure 1 shows the WCB-1 bracket positioned on the PI100 center inserts. Figure 2 shows the WCB-1 positioned on the center inserts of both the long and short dimensions of the FR12-2.

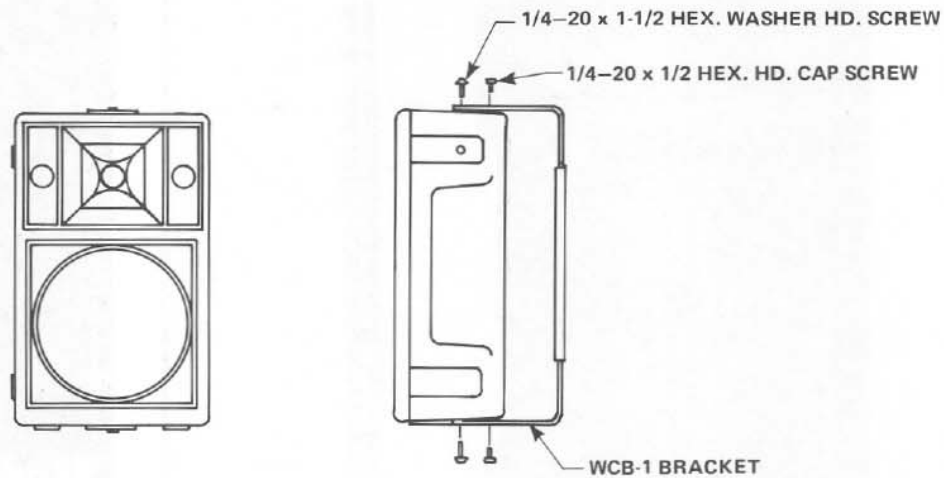


FIGURE 1 – Mounting Position on the PI100

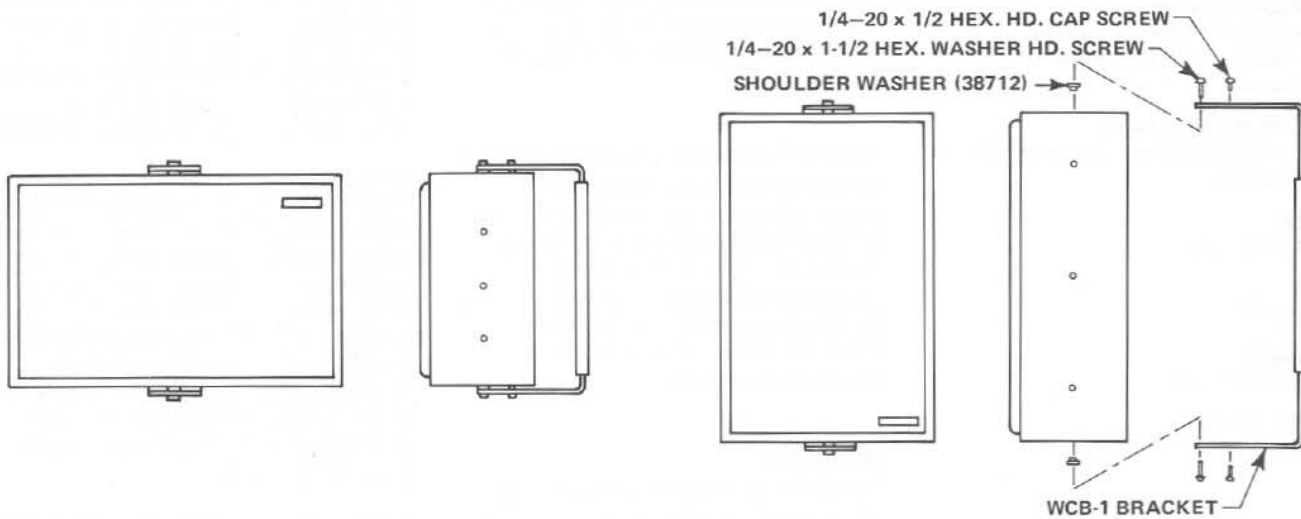


FIGURE 2 – Mounting Position on the FR12-2



ELECTRO-VOICE, INC., 600 Cecil Street, Buchanan, Michigan 49107

MANUFACTURING PLANTS AT ■ BUCHANAN, MI ■ NEWPORT, TN ■ SEVIERVILLE, TN ■ OKLAHOMA CITY, OK ■ GANANOQUE, ONT.
 ©Electro-Voice, Inc. 1990 ■ Litho In U.S.A. Part Number 530362—828

a MARK IV company